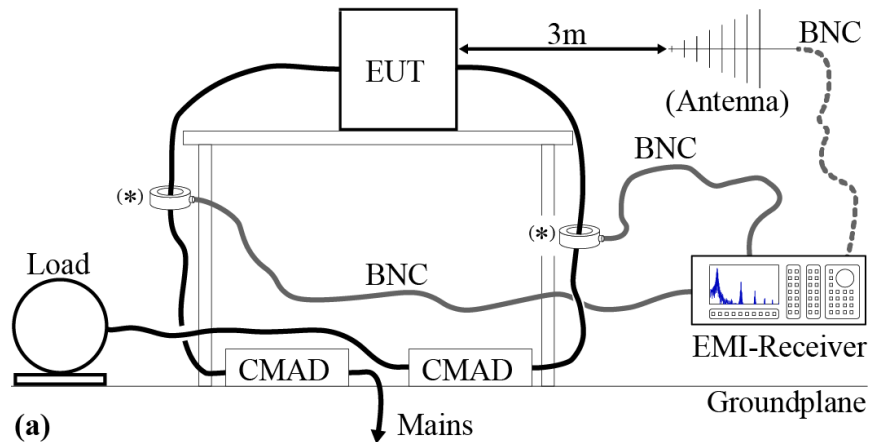


Zürich, October 04, 2023

ERRATA

In the article “EMI Filter Design for a Three-Phase Buck-Boost Y-Inverter VSD with Unshielded Motor Cables Considering IEC 61800-3 Conducted & Radiated Emission Limits” [1], an error has occurred in **Fig. 12a**, where the indicated placement of the current probe on the mains side is wrong. The correct setup is displayed below, and we apologize for the error.



All the measurement results presented in the article were obtained using the correct current probe placement and remain valid.

Reference

- [1] D. Menzi, D. Bortis, and J. W. Kolar, “EMI filter design for a three-phase buck-boost Y-inverter VSD with unshielded cables considering IEC 61800-3 conducted & radiated emission limits,” *IEEE Transactions on Power Electronics*, vol. 36, no. 11, pp. 12919 – 12937, 2021.